

Disposable Filter Applications

Cost effective way to collect, dewater, transport and dump all kinds of sludges, slurries, and wet solids.

GeoCat™ Model DH

The GeoCat dewatering box comes with disposable filter media. The GeoCat is designed to be used with sticky, or slimy, slightly oily, non-uniform, non-specific, colloidal, or simply hard to dewater sludge where flocculation is not an option.

The GeoCat is also useful for dewatering operations in which the residual sludge cake would present a clean-up issue, as the disposable filter is discarded with the filter cake.

Log on to ParkProcess.com for more information.



Self Dumping Hopper

► Features

- Heavy duty carbon steel construction (optional stainless steel)
- Designed to be handled by a standard fork truck
- Typical (2) 2" drain ports located at the bottom on each side at opposing ends
- Filter media is disposable but can be reused in certain situations
- Filter support panels made of expanded metal and perforated plates (optional materials available for support panels)
- Disposable filter media is available in 3, 4, 6, and 10 ounce fabric as well as a woven 40 mesh polypropylene filter and is made into an envelope shape, held in place by bag hooks around the top perimeter of the hopper
- A double wall filter element that splits the hopper into two compartments is an available option
- Dump Hopper sizes recommended: 3, 4, and 5 cubic yards



► Applications

- Water Treatment Plants
- Gas Scrubber Ash
- Arsenic Sludge
- Alum Sludge

Dewatering Containers

- Self Dumping Hoppers
- Front Loaders
- Roll-Offs
- Permanently Mounted Tipping Stand
- Trailer Mounted
- Rotator Boxes
- Crane Dumping
- Filter Media

Filtration Equipment

- Cartridge Filter Vessels
- Cartridge Filters
- Bag Filter Vessels
- Bag Filters
- Filter Presses (Standard/Oilfield)
- Filter Press Cloths
- Sand Filters
- Back Wash Filters
- Carbon Filters
- Filter Media (Permanent /Disposable)

Separation Equipment

- Oil/Water Separators
- Hydrocyclones
- Vibratory Screening Units
- Inclined Plate Clarifier
- Grit Classifiers
- Strainers
- Oil Skimmers
- Mud Cleaners
- Centrifuges

Mixing/Blending

- Static Mixers
- Eductors
- Batch Mixing Systems
- Tank Mixers
- Agitators
- Blend Plants
- Blending Units
- Mud Shearing

Chemical Treatment

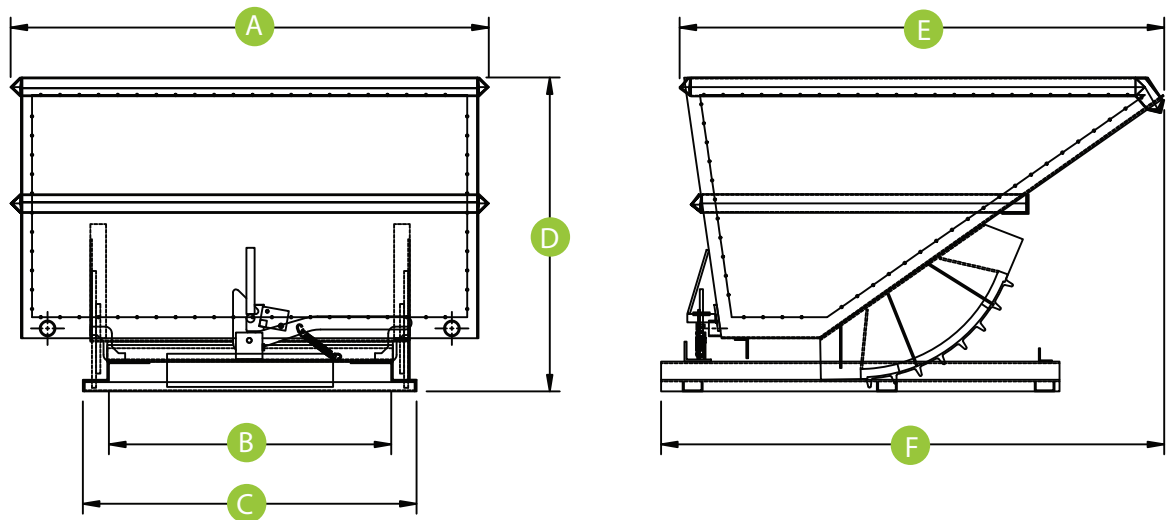
- Polymer Mixing & Injection
- Static Mixers
- PH Control Systems
- Slurry Tanks

Pumping

- Centrifugal Pumps
- Progressive Cavity Pumps
- Diaphragm Pumps
- Trash Pumps

Conveyance

- Screw Conveyors
- Drag Conveyors



Model	Size	A	B	C	D	E	F	Dry Weight
GEDH01	1 yd	39 1/2	30 3/4	38 3/8	37 3/4	62 1/2	64 3/4	660
GEDH02	2 yd	51 1/2	42 1/2	50 1/4	46 1/4	73	75 3/4	860
GEDH03	3 yd	72	42 1/2	50 1/4	47 1/4	73	75 3/4	1270
GEDH04	4 yd	99 1/2	42 1/2	50 1/4	47 1/4	73	75 3/4	1670
GEDH05	5 yd	123 1/2	42 1/2	50 1/4	47 1/4	73	75 3/4	1950

*Specifications subject to change without notice. Measurements in inches and weights in pounds.

Other available models:



Front Loader (FL)



Roll-Off (RO)